



# [Service Update] October 2021: Rear Hub Design Change on GSD S10 Gen 2

## Background

---

GSD S10 Gen 2 bikes manufactured after September 2021 will use a **new rear hub** due to a design change at the manufacturer. To support this we will offer additional service parts that are only compatible with this new rear hub, *but will not work with the old rear hubs on GSD S10 Gen 2 bikes manufactured before September 2021.*

## Bikes affected

---

Gen 2 GSD S10, manufactured *before* September 2021

## Solution

---

Please note the changes so you can distinguish between the old and new design of the **rear hub** and order the correct parts accordingly. If you have questions or need assistance ordering the parts, please reach out to your Tern service contact.

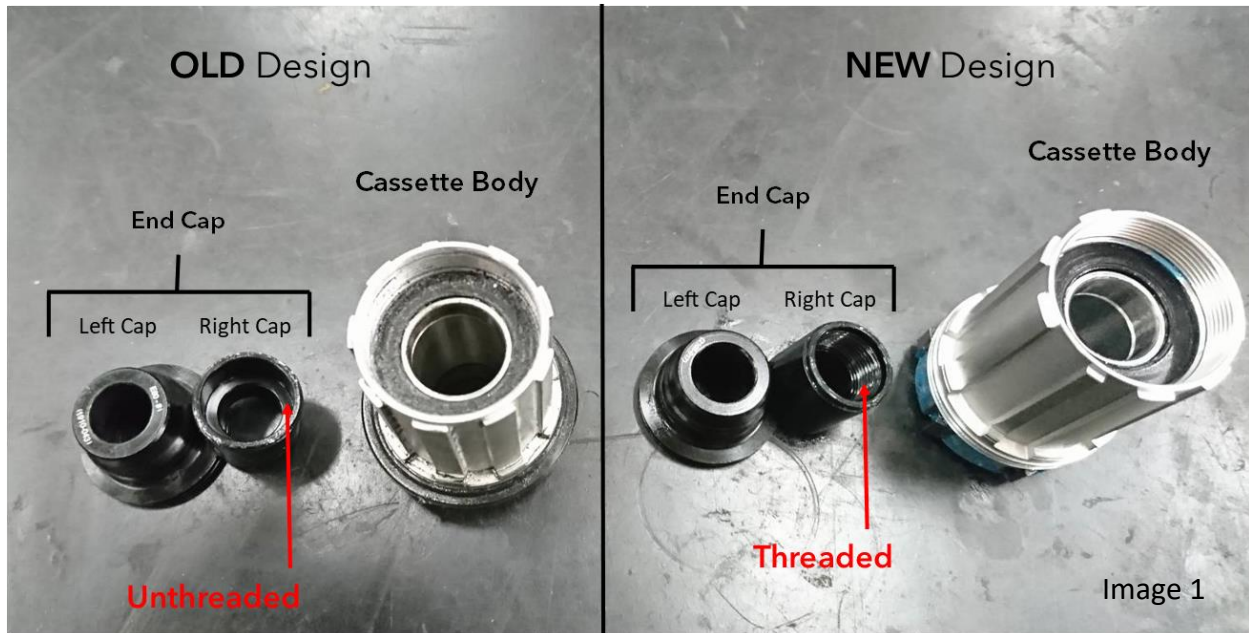
New:

- **Rear hub** part number: [A.03001.0168.03.01](#)
- **Cassette body + end caps** part number: [F.03002.0005.00.00](#)

Old:

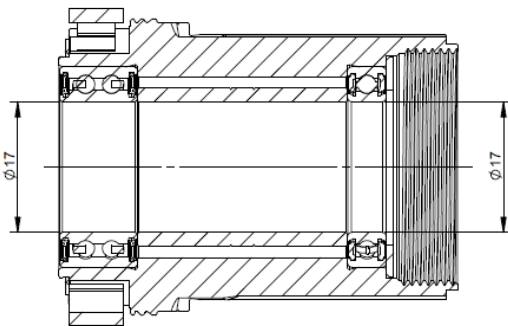
- **Cassette body + end caps** part number: F.03002.0006.00.00

## How to identify the change in parts:

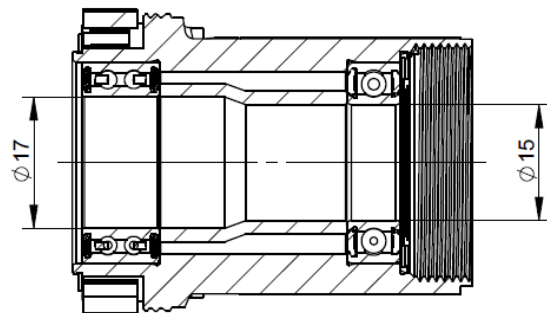


### End Cap (Image 1)

- Old Hub: Right cap is unthreaded
- New Hub: Right cap is threaded



Old Design Cassette Body



New Design Cassette Body

Image 2

### Cassette Body (Image 2)

- Old Hub Cassette Body Diameters: Inside = 17mm, Outside = 17mm
- New Hub Cassette Body Diameters: Inside = 17mm, Outside = 15mm



### Axle (Image 3)

- Old Hub: Smooth axle at the tip
- New Hub: Threaded axle at the tip



### Right Cap (Image 4)

- Old Hub: Right cap has a slide-in design
- New Hub: Right cap is designed to be tightened with 17mm open wrench

### Action required

---

Please inform retailers about the design changes made to the rear hub for the GSD S10 Gen 2 and make sure they can identify the old and new design.

If you have any questions, please contact [service@ternbicycles.com](mailto:service@ternbicycles.com).

Sincerely,  
Tern Service Team